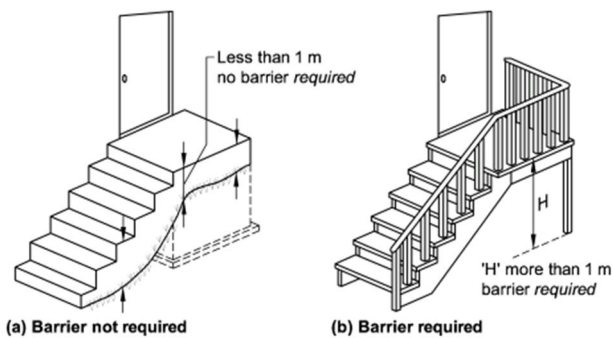


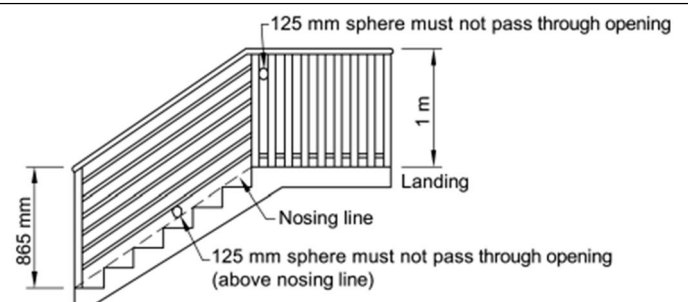
BARRIERS & HANDRAILS

This fact sheet provides some general information relating to barriers and handrails. For more detailed information refer to Part 3.9.2 of the National Construction Code, Volume 2 or speak to your Local Certifier.

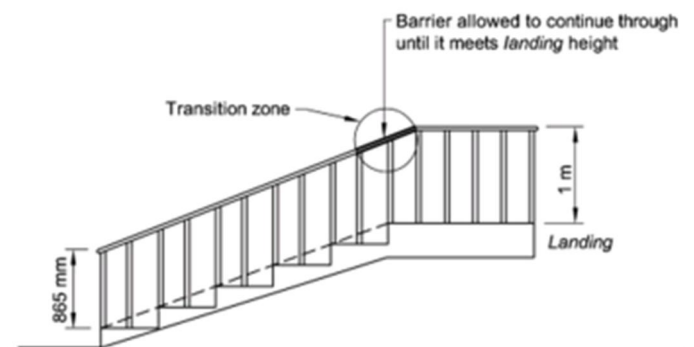
- A continuous barrier must be provided where a trafficable surface is 1m or more above the surface beneath it. This applies to:
 - Stairways and ramps
 - A floor, corridor, balcony, deck, mezzanine, access bridge or the like.
 - Any roof to which general access is provided.



- The height of the barrier must be at least 865mm above the nosings of the stair treads or the floor of a ramp.
- The height must be at least 1m above the floor of any access path, balcony, landing or the like.
- The height must be at least 865mm above the floor of a landing to a stair or ramp where the barrier is provided along the inside edge of the landing and does not exceed a length of 500mm.



- A transition zone may be incorporated where the barrier height changes from 865mm on the stair flight or ramp to 1m at the landing.



- Openings in balustrades must be constructed so that they do not permit a 125mm sphere to pass through it.

This information has been prepared as a guide only. Local Management Services Pty Ltd is not accountable for any loss suffered by any party due to the unauthorised use of this information or any reliance on these details.